

# INJ-24 Series

## Gigabit IEEE 802.3af/at PoE+ injectors



- > PoE+ injector for 10/100/1000M networks; inject power and data to PD (Power Device) equipment
- > IEEE 802.3af/at compliant; supports a full 30 watt output
- > 24/48 VDC wide range power input
- > -40 to 75°C operating temperature range (T model)



### Specifications

#### Technology

##### Standards:

- IEEE 802.3af/at for Power-over-Ethernet
- IEEE 802.3 for 10BaseT
- IEEE 802.3u for 100BaseT(X)
- IEEE 802.3ab for 1000BaseT(X)

##### Interface

**RJ45 Ports:** 10/100/1000BaseT(X) for PoE OUT and DATA IN

**PoE Pinout:** V+, V+, V-, V- for pin 4, 5, 7, 8 (Midspan, MDI Alternative B)

##### Power Requirements

**Input Voltage:** 24/48 VDC, single input

**Operating Voltage:** 22 to 57 VDC

**Input Current:** 1.42 A @ 24 VDC

**Overload Current Protection:** Present

**Connection:** 1 removable 3-contact terminal block

**Reverse Polarity Protection:** Present

**Power Consumption:** Max. 4.08 W full loading without PD's consumption

**Power Budget:** Max. 30 W for 1 PD's consumption

##### Physical Characteristics

**Housing:** Plastic

**IP Rating:** IP30 protection

**Dimensions:** 24.9 × 100 × 86.2 mm (0.98 × 3.93 × 3.39 in)

**Weight:** 115 g (0.26 lb)

**Installation:** DIN-rail mounting

#### Environmental Limits

##### Operating Temperature:

Standard Models: 0 to 60°C (32 to 140°F)

Wide Temp. Models: -40 to 75°C (-40 to 167°F)

**Storage Temperature:** -40 to 85°C (-40 to 185°F)

**Ambient Relative Humidity:** 5 to 95% (non-condensing)

##### Standards and Certifications

**Safety:** UL 508, EN 60950-1 (LVD)

**EMC:** EN 55022/24

**EMI:** CISPR 22, FCC Part 15B Class A

##### EMS:

IEC 61000-4-2 ESD: Contact: 6 kV; Air: 8 kV

IEC 61000-4-3 RS: 80 MHz to 1 GHz: 10 V/m

IEC 61000-4-4 EFT: Power: 2 kV; Signal: 1 kV

IEC 61000-4-5 Surge: Power: 2 kV; Signal: 2 kV

IEC 61000-4-6 CS: Signal: 10 V

IEC 61000-4-8

**Shock:** IEC 60068-2-27

**Freefall:** IEC 60068-2-32

**Vibration:** IEC 60068-2-6

*Note: Please check Moxa's website for the most up-to-date certification status.*

**MTBF** (mean time between failures)

**Time:** 2,525,278 hrs

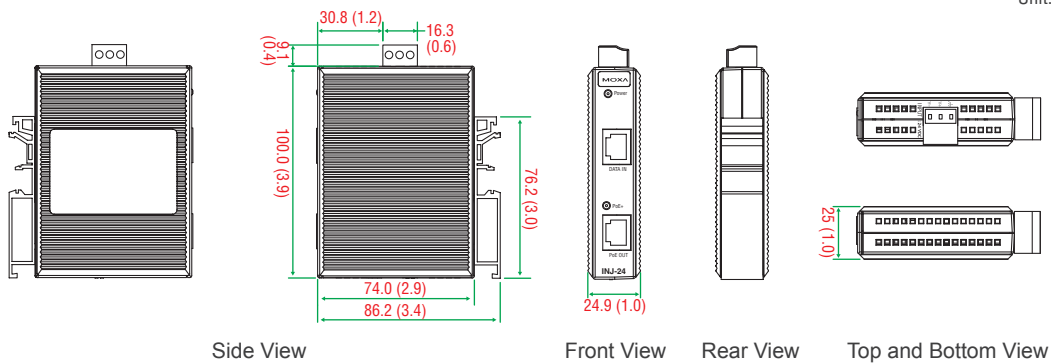
**Standard:** Telcordia (Bellcore), GB

##### Warranty

**Warranty Period:** 5 years

**Details:** See [www.moxa.com/warranty](http://www.moxa.com/warranty)

### Dimensions



### Ordering Information

#### Available Models

**INJ-24:** PoE+ Injector, maximum output of 30 W at 24/48 VDC, 0 to 60°C operating temperature

**INJ-24-T:** PoE+ Injector, maximum output of 30 W at 24/48 VDC, -40 to 75°C operating temperature

#### Package Checklist

- INJ-24 PoE+ injector
- Hardware installation guide (printed)
- Warranty card