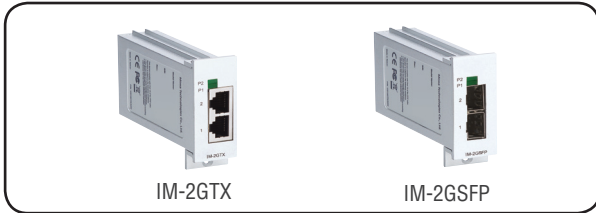


IM Series

2-port Gigabit Ethernet and 4-port Fast Ethernet interface modules for EDS-728/828 series Ethernet switches

Specifications

Gigabit Ethernet Interface Modules, IM-2G Series



IM-2GTX

IM-2GSFP

Interface

Fiber Ports: 1000BaseSFP slot

RJ45 Ports: 10/100/1000BaseT(X) auto negotiation speed and auto MDI/MDI-X connection

LED Indicators: Port status

Note: See the SFP-1G datasheet for Gigabit Ethernet SFP module product information.

Power Requirements

Power Consumption (@ 24 V):

IM-2GTX: 2.96 W

IM-2GSFP: 3.04 W

Physical Characteristics

Dimensions: 24 x 65.9 x 101.1 mm (0.94 x 2.59 x 3.98 in)

Weight:

IM-2GTX: 150 g (0.33 lb)

IM-2GSFP: 148 g (0.33 lb)

MTBF (mean time between failures)

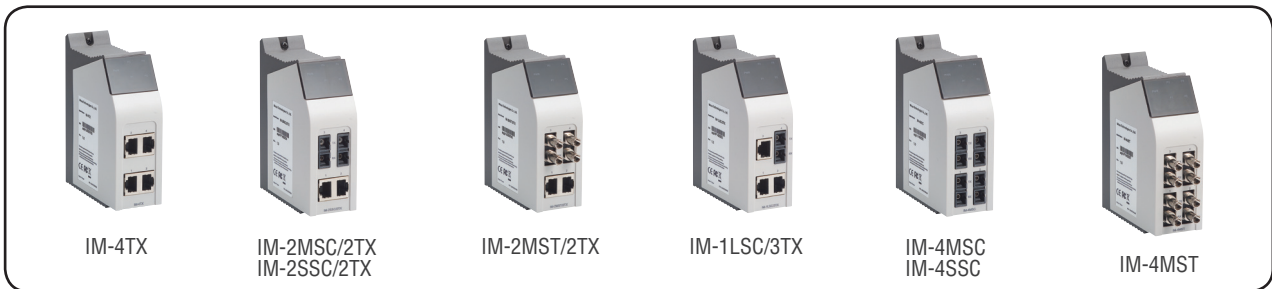
Time:

IM-2GTX: 417,521 hrs

IM-2GSFP: 424,955 hrs

Database: Telcordia (Bellcore), GB

Fast Ethernet Interface Modules, IM Series



IM-4TX

IM-2MSC/2TX
IM-2SSC/2TX

IM-2MST/2TX

IM-1LSC/3TX

IM-4MSC
IM-4SSC

IM-4MST

Interface

Fiber Ports: 100BaseFX ports (SC/ST connector)

RJ45 Ports: 10/100BaseT(X) auto negotiation speed, Full/Half duplex mode, and auto MDI/MDI-X connection

LED Indicators: PWR, P1, P2, P3, P4 port status

Optical Fiber

		100BaseFX		
		Multi-Mode		Single-Mode
Fiber Cable Type		OM1	50/125 μm	G.652
			800 MHz*km	
Typical Distance		4 km	5 km	40 km
Wave-length	Typical (nm)	1300		1310
	TX Range (nm)	1260 to 1360		1280 to 1340
	RX Range (nm)	1100 to 1600		1100 to 1600
Optical Power	TX Range (dBm)	-10 to -20		0 to -5
	RX Range (dBm)	-3 to -32		-3 to -34
	Link Budget (dB)	12		29
	Dispersion Penalty (dB)	3		1

Note: When connecting a single-mode fiber transceiver, we recommend using an attenuator to prevent damage caused by excessive optical power.

Note: Compute the "typical distance" of a specific fiber transceiver as follows: Link budget (dB) > dispersion penalty (dB) + total link loss (dB).

Power Requirements

Power Consumption (@ 24 V):

IM-4TX: 1.29 W

IM-2MSC/2TX: 2.06 W

IM-2MST/2TX: 2.06 W

IM-2SSC/2TX: 2.06 W

IM-1LSC/3TX: 2.12 W

IM-4MSC: 6.6 W

IM-4MST: 6.6 W

IM-4SSC: 6.6 W

Physical Characteristics

Housing: IP30 protection

Dimensions: 40 x 127.8 x 100 mm (1.57 x 5.03 x 3.94 in)

Weight:

IM-4TX: 215 g (0.48 lb)

IM-2MSC/2TX: 245 g (0.54 lb)

IM-2MST/2TX: 250 g (0.56 lb)

IM-2SSC/2TX: 245 g (0.54 lb)

IM-1LSC/3TX: 235 g (0.52 lb)

IM-4MSC: 250 g (0.56 lb)

IM-4MST: 270 g (0.60 lb)

IM-4SSC: 270 g (0.60 lb)

MTBF (mean time between failures)

Time:

IM-4TX: 4,403,579 hrs
 IM-2MSC/2TX, IM-2MST/2TX, IM-2SSC/2TX: 1,011,453 hrs
 IM-1LSC/3TX: 3,924,924 hrs
 IM-4MSC, IM-4MST, IM-4SSC: 696,138 hrs
Standard: Telcordia (Bellcore), GB

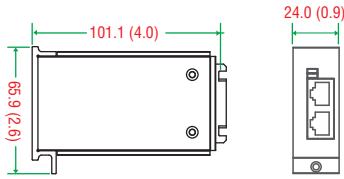
Warranty

Warranty Period: 5 years
Details: See www.moxa.com/warranty

Dimensions

Unit: mm (inch)

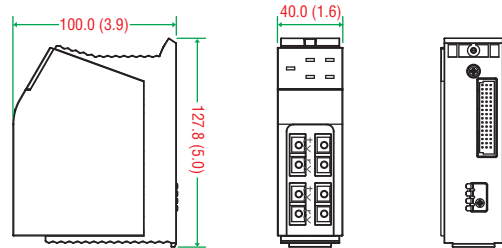
Gigabit Ethernet Interface Modules



Side View

Front View

Fast Ethernet Interface Modules



Side View

Front View

Rear View

: Ordering Information

Available Models (0 to 60°C)	Port Interface						
	Gigabit Ethernet		Fast Ethernet				
	10/100/1000BaseT(X)	1000BaseSFP*	10/100BaseT(X)	100BaseFX			
Multi-Mode, SC Connector				Multi-Mode, ST Connector	Single-Mode, SC Connector	Single-Mode, SC Connector, 80 km	
IM-2G Series							
IM-2GTX	2	–	–	–	–	–	–
IM-2GSFP	–	2	–	–	–	–	–
IM Series							
IM-4TX	–	–	4	–	–	–	–
IM-4MSC	–	–	–	4	–	–	–
IM-4MST	–	–	–	–	4	–	–
IM-2MSC/2TX	–	–	2	2	–	–	–
IM-2MST/2TX	–	–	2	–	2	–	–
IM-4SSC	–	–	–	–	–	4	–
IM-2SSC/2TX	–	–	2	–	–	2	–
IM-1LSC/3TX	–	–	3	–	–	–	1

*See the SFP-1G datasheet for Gigabit Ethernet SFP module product information.

Package Checklist

- IM series interface modules
- Warranty card

SFP-1G Series

1-port Gigabit Ethernet SFP modules



- > Digital Diagnostic Monitor Function
- > -40 to 85°C operating temperature range (T models)
- > IEEE 802.3z compliant
- > Differential LVPECL inputs and outputs
- > TTL signal detect indicator
- > Hot pluggable LC duplex connector
- > Class 1 laser product, complies with EN 60825-1



Specifications

Interface

Ethernet Ports: 1

Connectors: Duplex LC Connector or Simplex LC Connector (WDM-type only)

Optical Fiber

		Gigabit Ethernet SFP									
		SFP-SX		SFP-LSX		SFP-LX	SFP-LH	SFP-LHX	SFP-ZX	SFP-EZX	SFP-EZX-120
Transceiver Type		Multi-Mode		Multi-Mode		Single-Mode	Single-Mode	Single-Mode	Single-Mode	Single-Mode	Single-Mode
Fiber Cable Type		OM1	OM2	OM2	OM1	G.652	G.652	G.652	G.652	G.652	G.652
Typical Distance		300 m	550 m	1 km	2 km	10 km	30 km	40 km	80 km	110 km	120 km
Wave-length	Typical (nm)	850		1310		1310	1310	1310	1550	1550	1550
	TX Range (nm)	830 to 860		1270 to 1355		1280 to 1355	1280 to 1355	1280 to 1340	1530 to 1570	1530 to 1570	1530 to 1570
	RX Range (nm)	770 to 860		1260 to 1610		1260 to 1610	1260 to 1610	1260 to 1610	1260 to 1610	1260 to 1610	1100 to 1600
Optical Power	TX Range (dBm)	-4 to -9.5		-1 to -9		-3 to -9	-3 to -8	+3 to -4	+5 to 0	+5 to 0	+3 to -2
	RX Range (dBm)	0 to -18		-1 to -19		-3 to -21	-3 to -23	-1 to -24	-1 to -24	-9 to -30	-8 to -33
	Link Budget (dB)	8.5		10		12	15	20	24	30	31
	Dispersion Penalty (dB)	4.3	3.6	5	5	1	1	1	1	1	2

Note: When connecting the SFP-LHX, ZX, EZX, or EZX-120, we recommended using an attenuator to prevent the transceiver from being damaged by excessive optical power.

		WDM Gigabit Ethernet SFP					
		SFP-10A		SFP-10B	SFP-20A	SFP-20B	SFP-40A
Transceiver Type		Single-Mode		Single-Mode		Single-Mode	
Fiber Cable Type		G.652		G.652		G.652	
Typical Distance		10 km		20 km		40 km	
Wave-length	Typical (nm)	TX 1310, RX 1550	TX 1550, RX 1310	TX 1310, RX 1550	TX 1550, RX 1310	TX 1310, RX 1550	TX 1550, RX 1310
	TX Range (nm)	1270 to 1355		1530 to 1570		1290 to 1330	
	RX Range (nm)	1480 to 1580		1260 to 1360		1480 to 1580	
Optical Power	TX Range (dBm)	-3 to -9		-2 to -8		+2 to -3	
	RX Range (dBm)	-3 to -21		-2 to -23		-1 to -23	
	Link Budget (dB)	12		15		20	
	Dispersion Penalty (dB)	2		3		1	

Note: WDM-type SFP modules must be used in pairs (e.g., SFP-1G10ALC and SFP-1G10BLC)

Note: When connecting the SFP-40A and 40B, we recommend using an attenuator to prevent damage caused by excessive optical power.

Typical Distance: To reach the typical distance of specified fiber transceiver, please refer to formula: Link budget(dB) > dispersion penalty(dB) + total link loss(dB).

Power Requirements

Power Consumption: Max. 1 W

Environmental Limits

Operating Temperature:

Standard Models: 0 to 60°C (32 to 140°F)

Wide Temp. Models: -40 to 85°C (-40 to 185°F)

Storage Temperature: -40 to 85°C (-40 to 185°F)

Ambient Relative Humidity: 5 to 95% (non-condensing)

Standards and Certifications

Safety: CE, FCC, TÜV (EN 60825), UL 60950-1

Marine: DNV, GL

Warranty

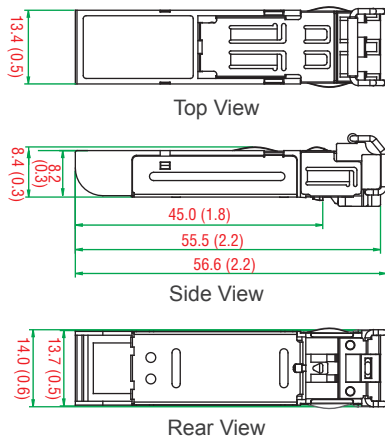
Warranty Period: 5 years

Details: See www.moxa.com/warranty

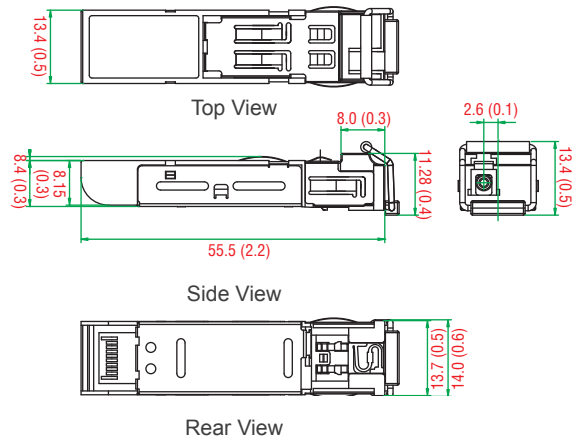
Dimensions

Unit: mm (inch)

SFP-1G Series



SFP-1G Series (WDM Type)



Ordering Information

Gigabit Ethernet SFP Models				WDM Gigabit Ethernet SFP Models			
Standard Temperature Models (0 to 60°C)	Wide Temperature Models (-40 to 85°C)	Transceiver Type	Typical Distance	Standard Temperature (0 to 60°C)	Wide Temperature (-40 to 85°C)	Transceiver Type	Typical Distance
SFP-1GSXLC	SFP-1GSXLC-T*	Multi-Mode	300/550 m	SFP-1G10ALC	SFP-1G10ALC-T	Single-Mode	10 Km
SFP-1GLSXLC	SFP-1GLSXLC-T	Multi-Mode	1/2 Km	SFP-1G10BLC	SFP-1G10BLC-T	Single-Mode	10 Km
SFP-1GLXLC	SFP-1GLXLC-T	Single-Mode	10 Km	SFP-1G20ALC	SFP-1G20ALC-T	Single-Mode	20 Km
SFP-1GLHLC	SFP-1GLHLC-T	Single-Mode	30 Km	SFP-1G20BLC	SFP-1G20BLC-T	Single-Mode	20 Km
SFP-1GLHXLC	SFP-1GLHXLC-T	Single-Mode	40 Km	SFP-1G40ALC	SFP-1G40ALC-T	Single-Mode	40 Km
SFP-1GZXLC	SFP-1GZXLC-T	Single-Mode	80 Km	SFP-1G40BLC	SFP-1G40BLC-T	Single-Mode	40 Km
SFP-1GEZXLC	-	Single-Mode	110 Km	-	-	-	-
SFP-1GEZXLC-120	-	Single-Mode	120 Km	-	-	-	-

*SFP-1GSXLC-T: -20 to 75°C operating temperature

Available Models

Please refer to the Moxa Ethernet SFP Transceiver Products Compatibility Matrix on the next page for available models.

Package Checklist

- SFP-1G module
- Warranty card